

# TRANSFORMERS



**OFFROAD  
IRONHIDE**

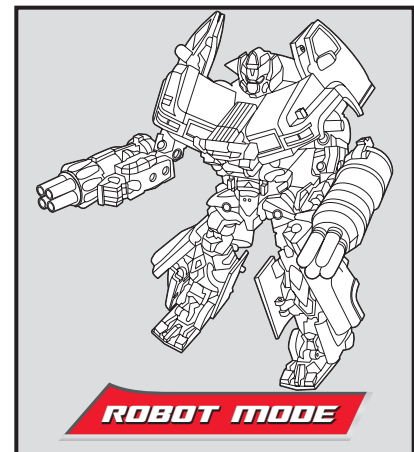
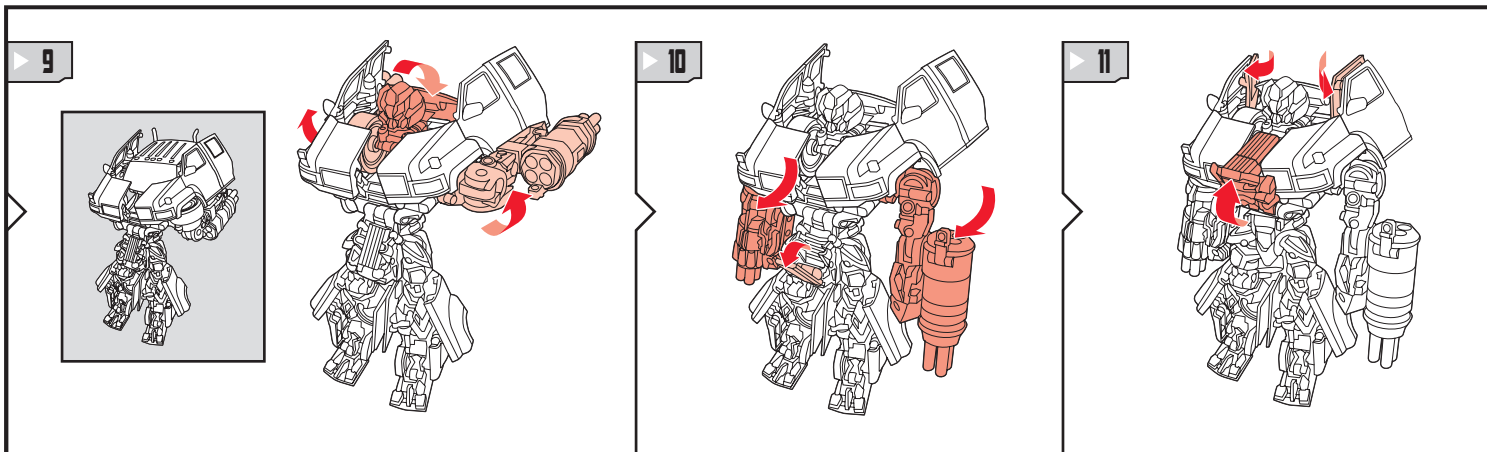
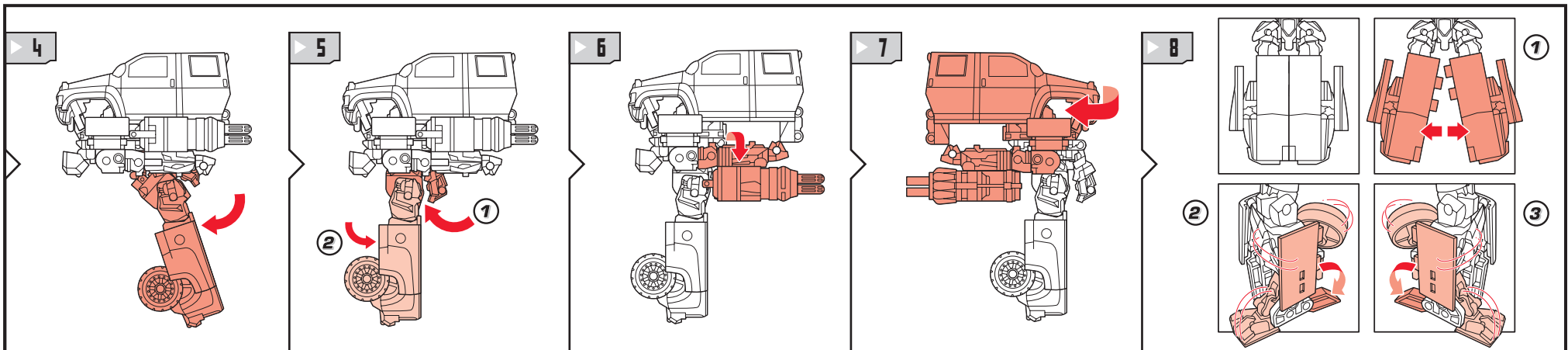
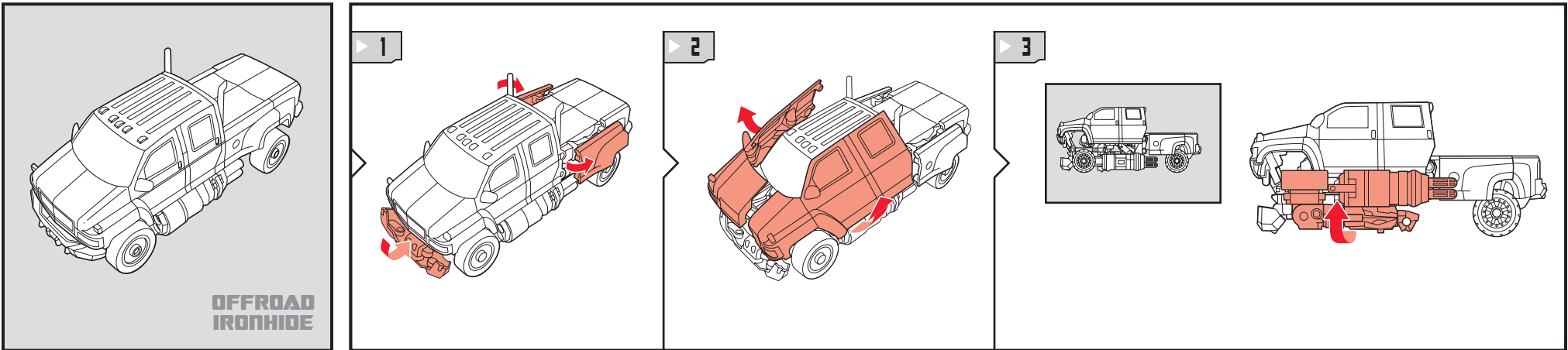
**AGES 5+**  
83528/81060 Asst.



TRANSFORMERS.COM

NOTE: Some parts are made to detach if excessive force is applied and are designed to be reattached if separation occurs. Adult supervision may be necessary for younger children.

## CHANGING TO ROBOT



REVERSE ORDER OF INSTRUCTIONS TO CONVERT BACK INTO VEHICLE.

